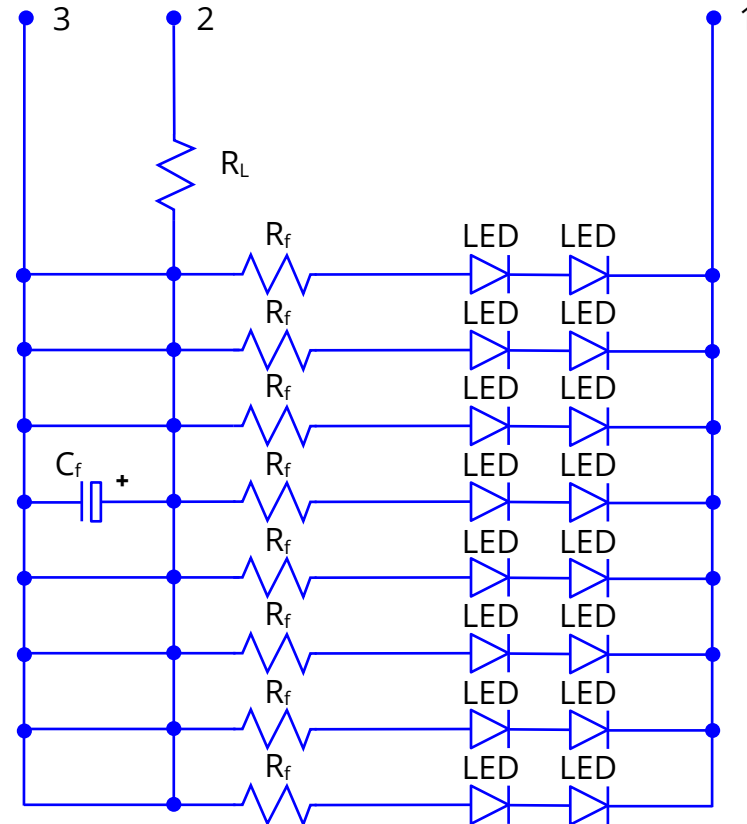


# Flashmotion Device 1/2

## LED Flash

circuit diagram



### Resistors

$R_f$ : 10  $\Omega$       $R_L$ : 1 k $\Omega$

### Capacitor

$C_f$ : 470  $\mu\text{F}$   
electrolyte capacitor,  
watch correct poling!

### Light Emitting Diodes

high-brightness  
white LED with small  
emission angle 15° – 30°,  
watch correct poling!



# Flashmotion Device 1/2

## LED Flash

assembly diagram

